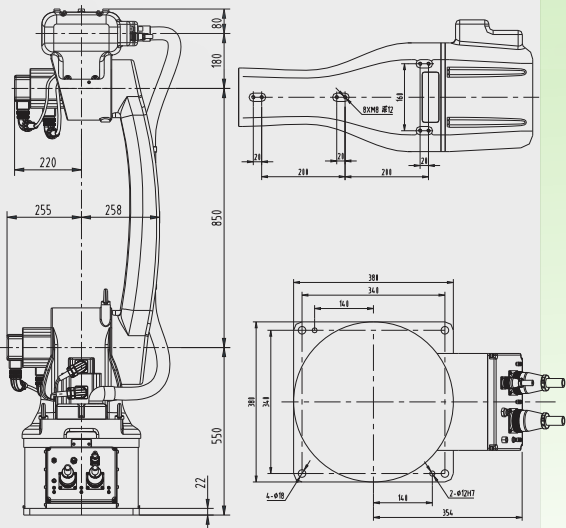
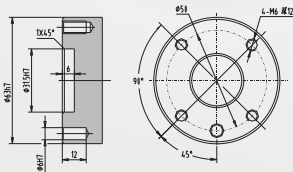
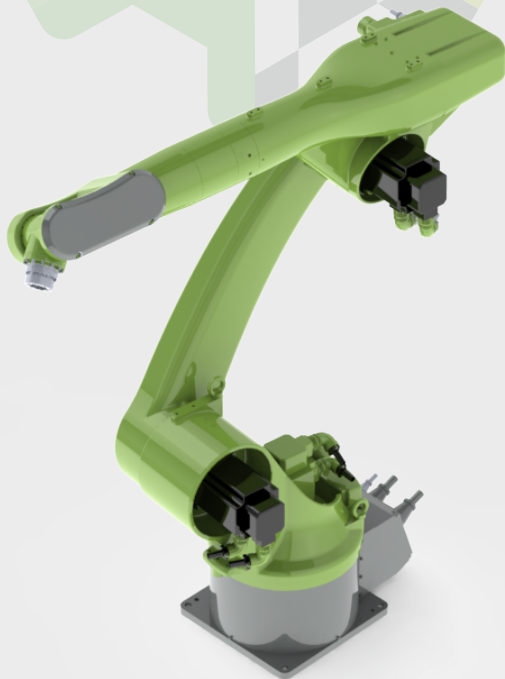




RIB2020A

Axis: 6
 Payload: 20 Kg
 Reach: 2000 mm



Technical Specifications:

Basic parameters	Degree of Freedom	6
	Payload	20 kg
	Payload for J3 Axes	25 kg
	Repeated Positioning Accuracy	0.08 mm
	Self Weight	260 kg
	Installation Method	Ground Mounted
	Power Capacity	5.0 kw
Brake	Whole Shaft Brake	
Motion range	Maximum Reach Distance	2000 mm
	Minimum Reach Distance	499 mm
	Axis J1 (turn)	±170°
	Axis J2 (lower arm swinging)	-170° +90°
	Axis J3 (upper arm swinging)	-85° +95°
	Axis J4 (arm rotary)	± 360°
	Axis J5 (wrist pitch)	± 135°
Axis J6 (wrist rotary)	± 360°	
Speed	Axis J1 (turn)	104°/s
	Axis J2 (lower arm swinging)	104°/s
	Axis J3 (Upper arm swinging)	138°/s
	Axis J4 (arm rotary)	168°/s
	Axis J5 (wrist pitch)	270°/s
	Axis J6 (wrist rotary)	337°/s
	Synthetic arm tip speed	1.2 m/s
Application and other information	End flange	Solid
	Can it be changed to 5 axis?	Yes
	Can it be customized for the upside down installation?	Yes
	Main Application	Material handling, palletizing, machine tool loading and unloading, Gluing, spraying and more

